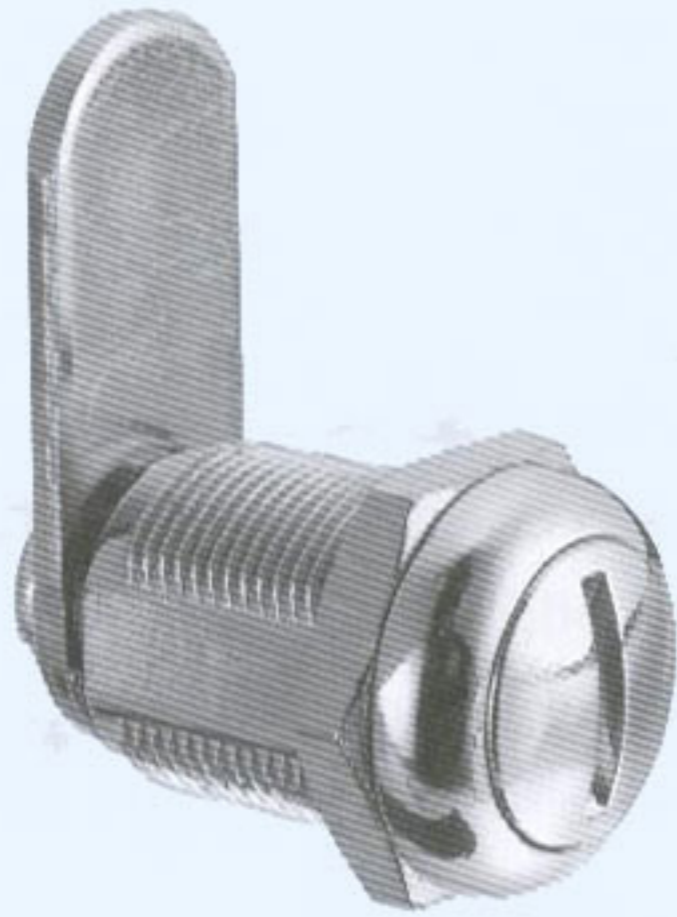


## RI058 series

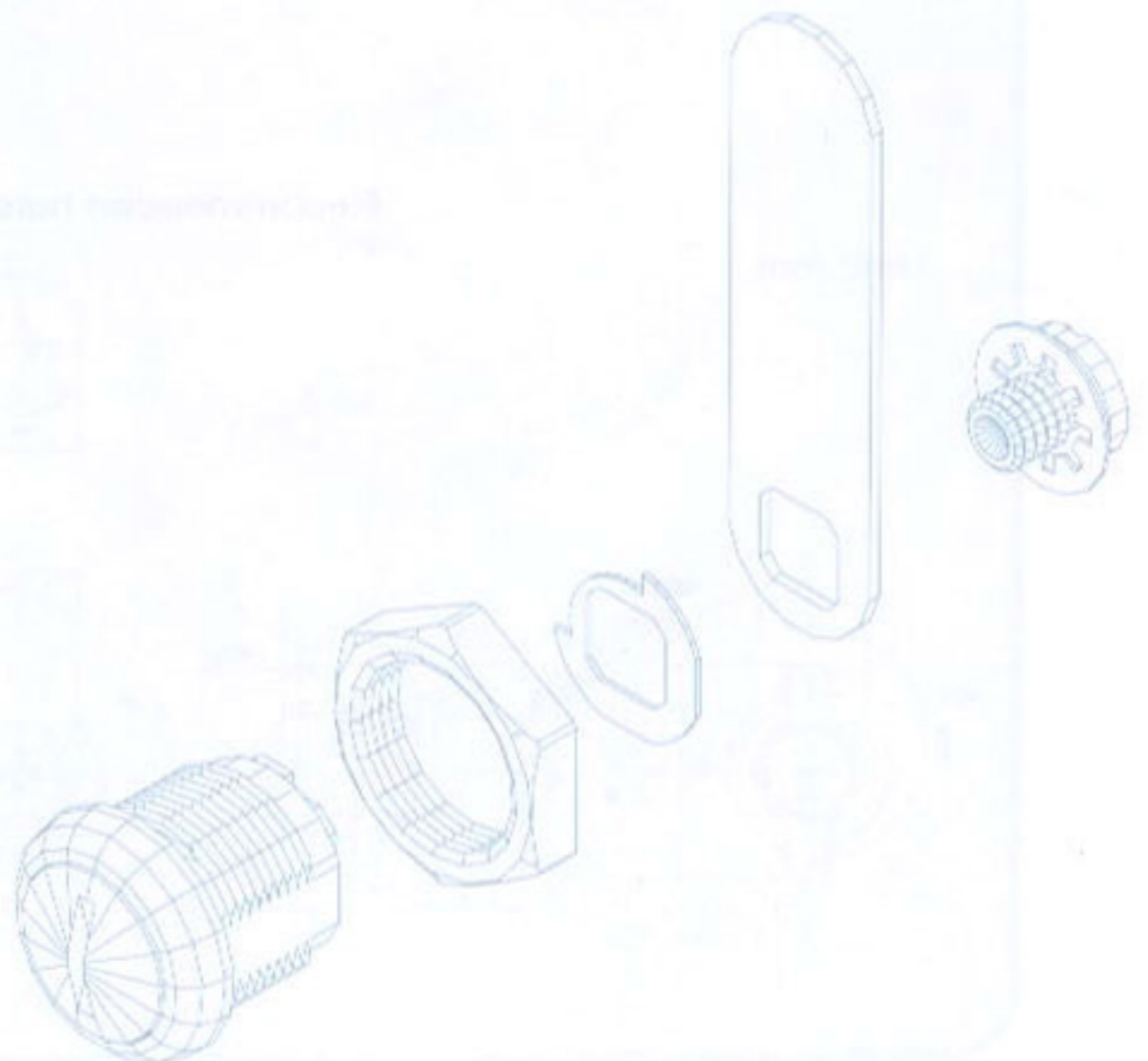
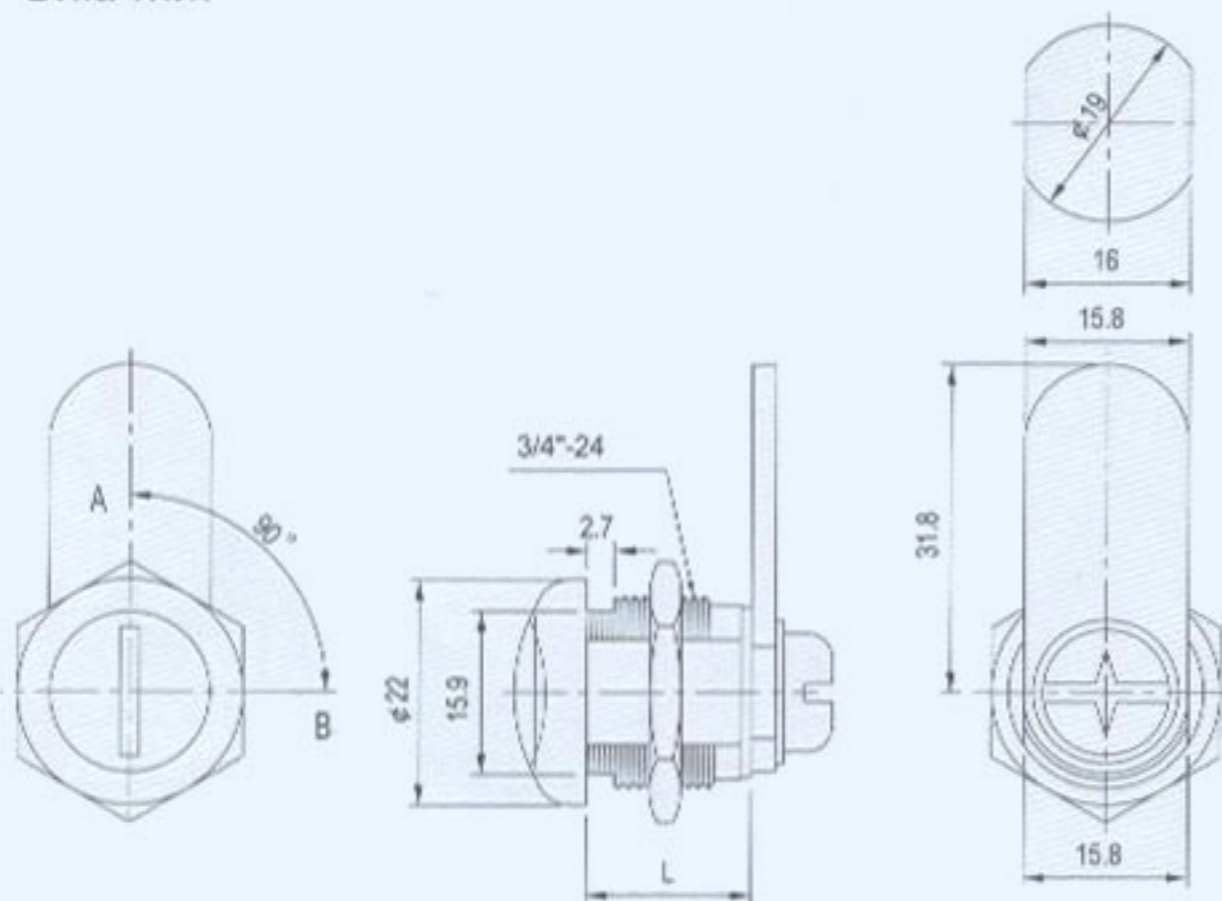


### DESCRIPTION

- . Zinc alloy die cast housing and cylinder.
- . Bright chrome plated standard.
- . Ball and spring detent.
- . RI series, screwdriver or coin operated.
- . 4 sizes available.
- . Various cam configurations and rotations available.
- . Cam is affixed by screw.
- . Hex nut or speed clip mounted.

Unit: mm

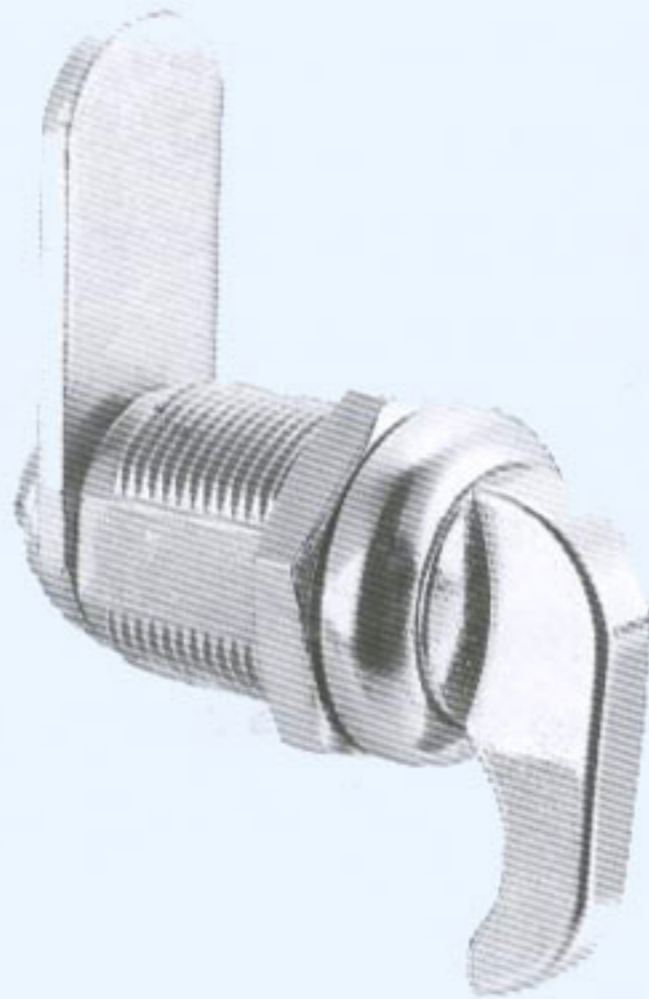
Recommended hole size



Sizes	S	M	L	XL
LockNumber	RI058	RI078	RI118	RI138

Sizes	L
S	15.9
M	22.2
L	28.6
XL	34.9

## RL058 series

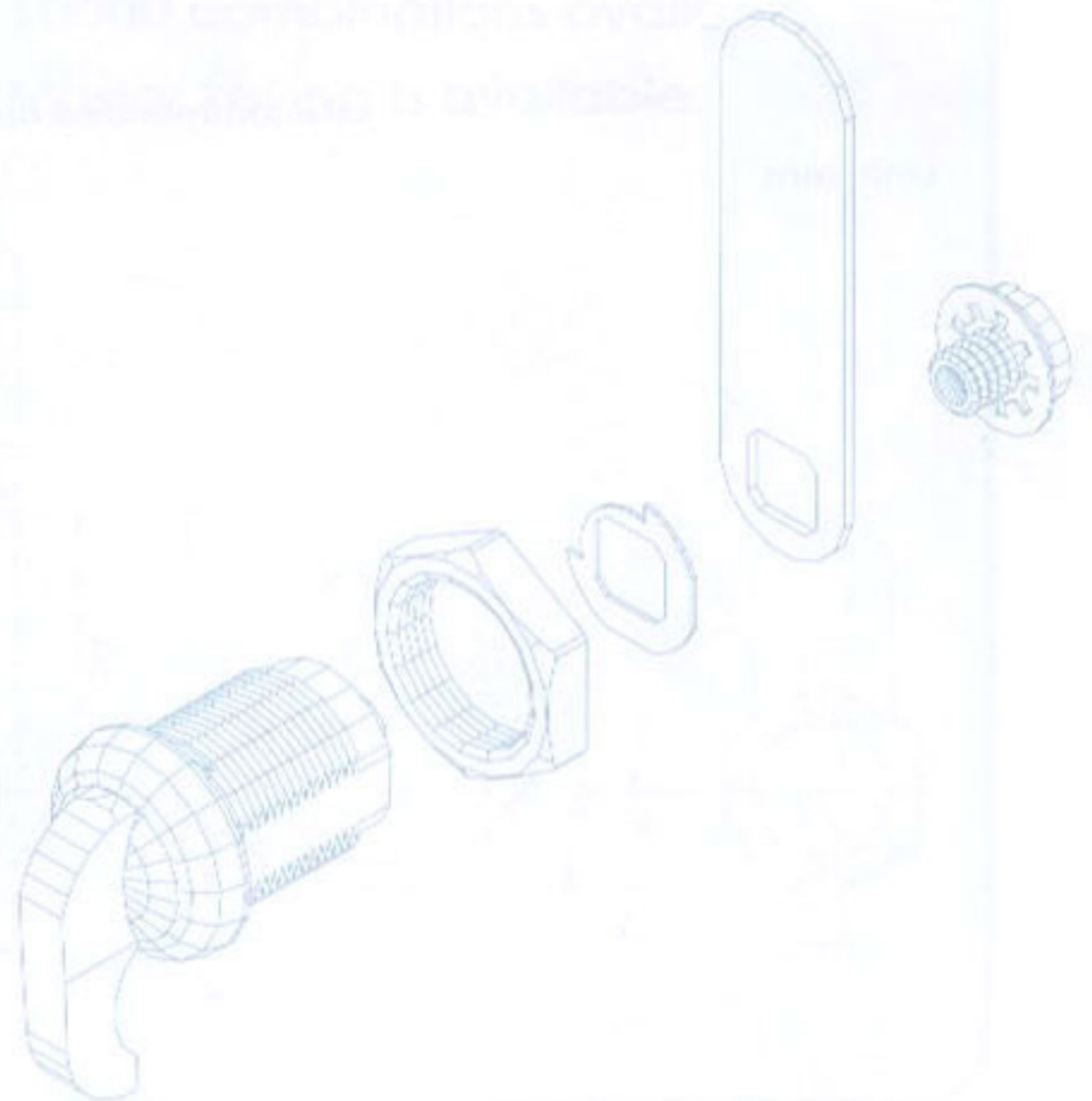
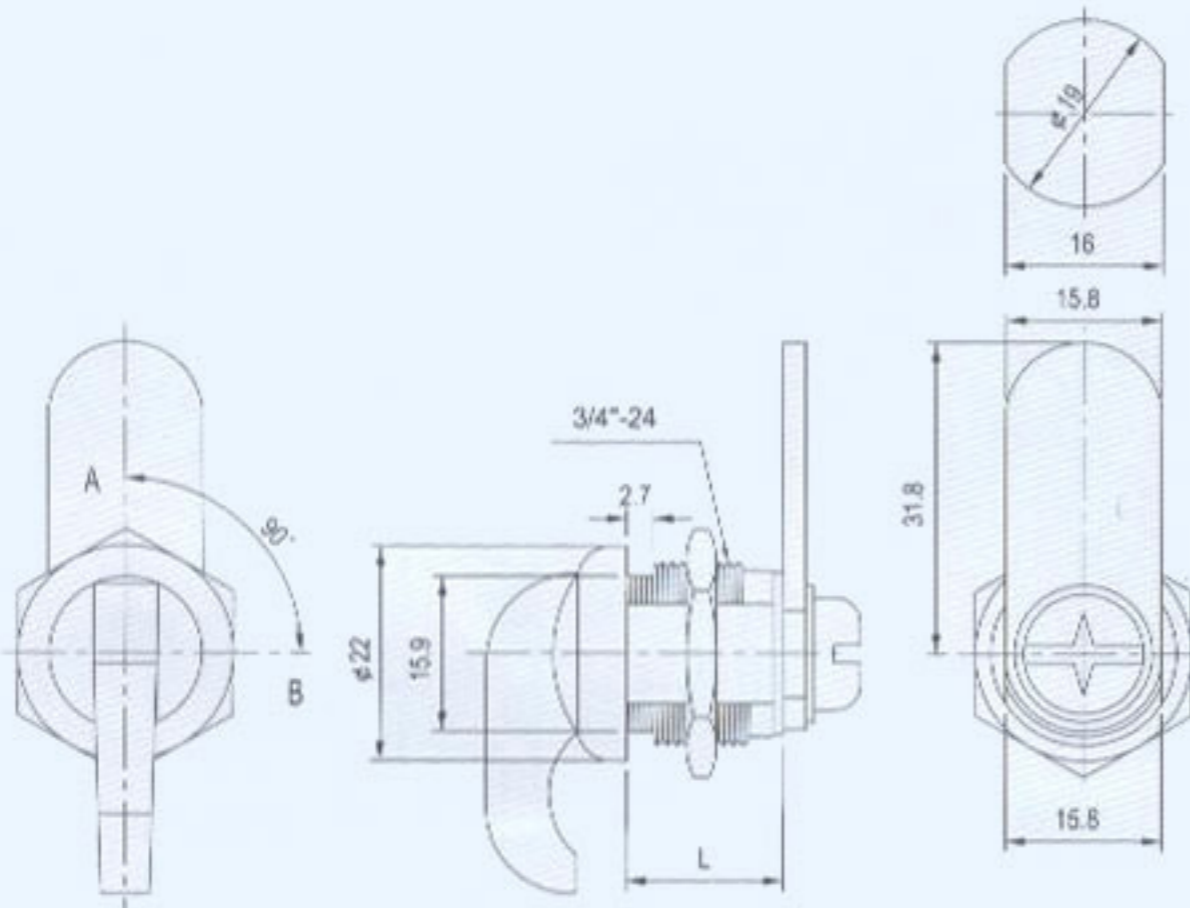


### DESCRIPTION

- . Zinc alloy die cast housing and cylinder.
- . Bright chrome plated standard.
- . Ball and spring detent.
- . RL series hand operated.
- . 4 sizes available.
- . Various cam configurations and rotations available.
- . Cam is affixed by screw.
- . Hex nut or speed clip mounted.

Unit: mm

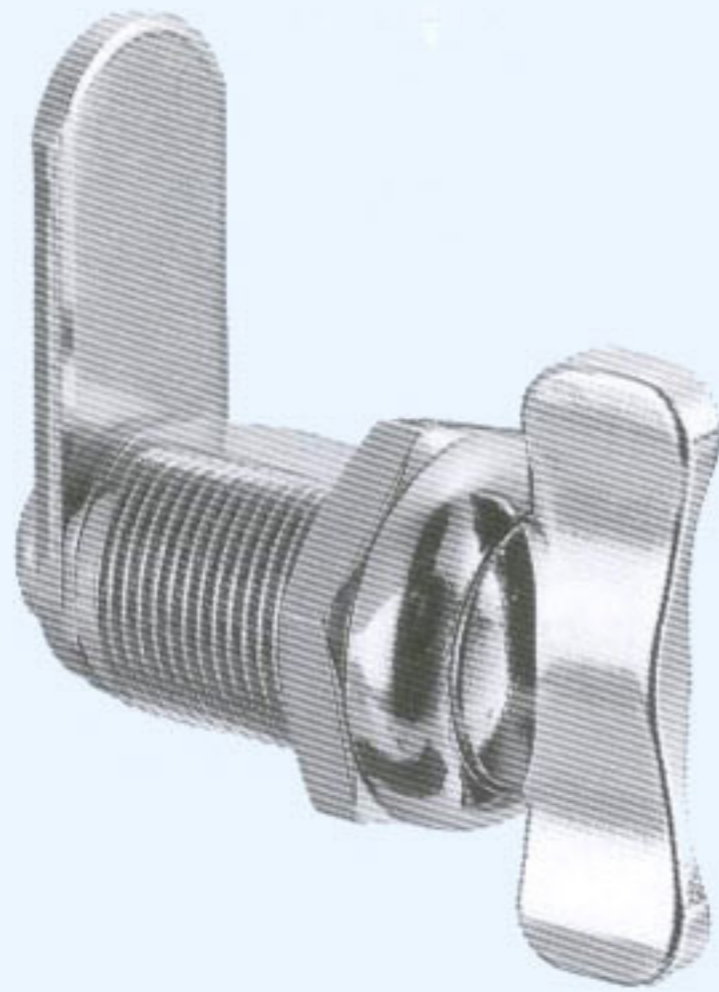
Recommended hole size



Sizes	S	M	L	XL
LockNumber	RL058	RL078	RT118	RL138

Sizes	L
S	15.9
M	22.2
L	28.6
XL	34.9

## RT058 series

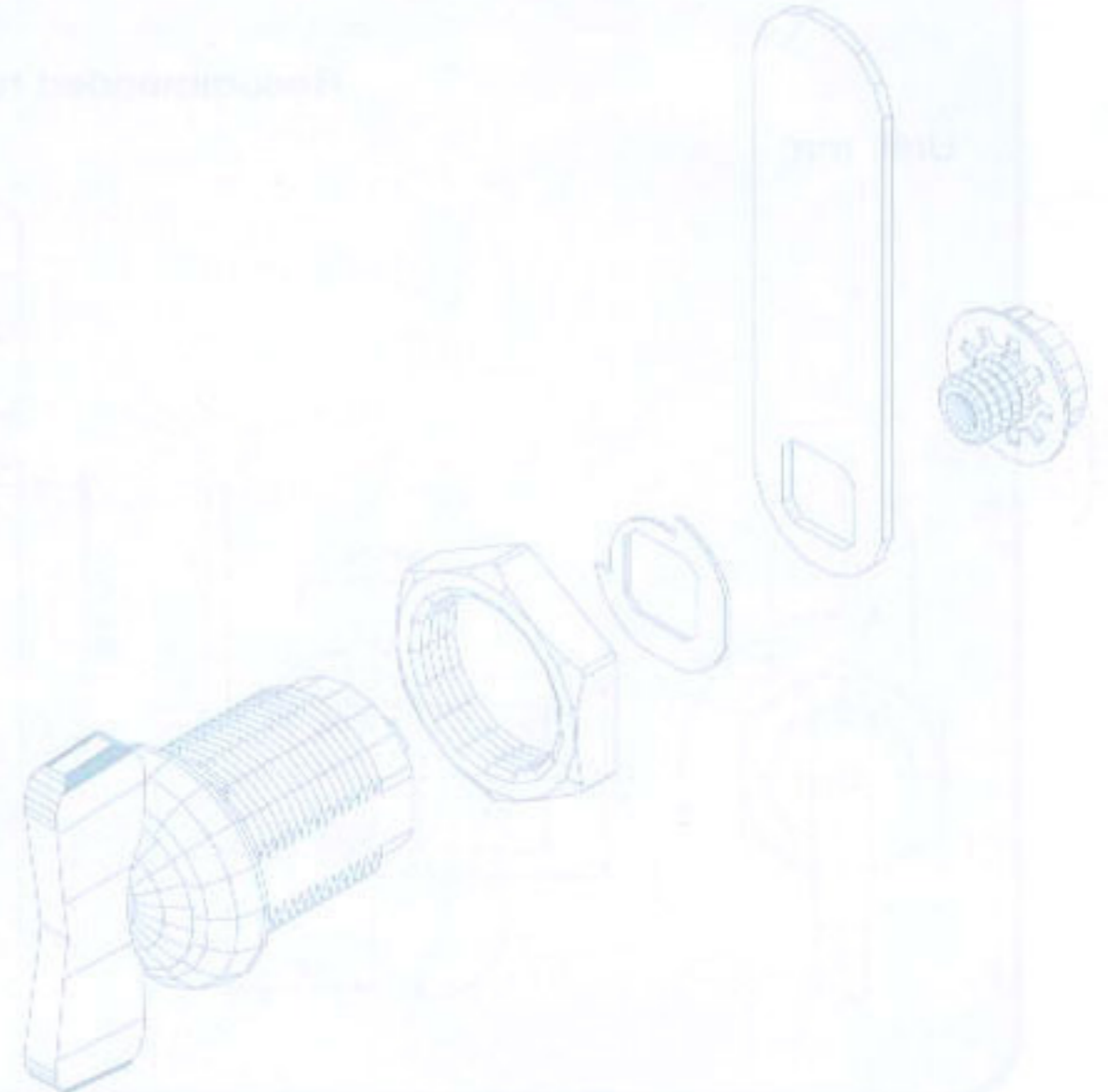
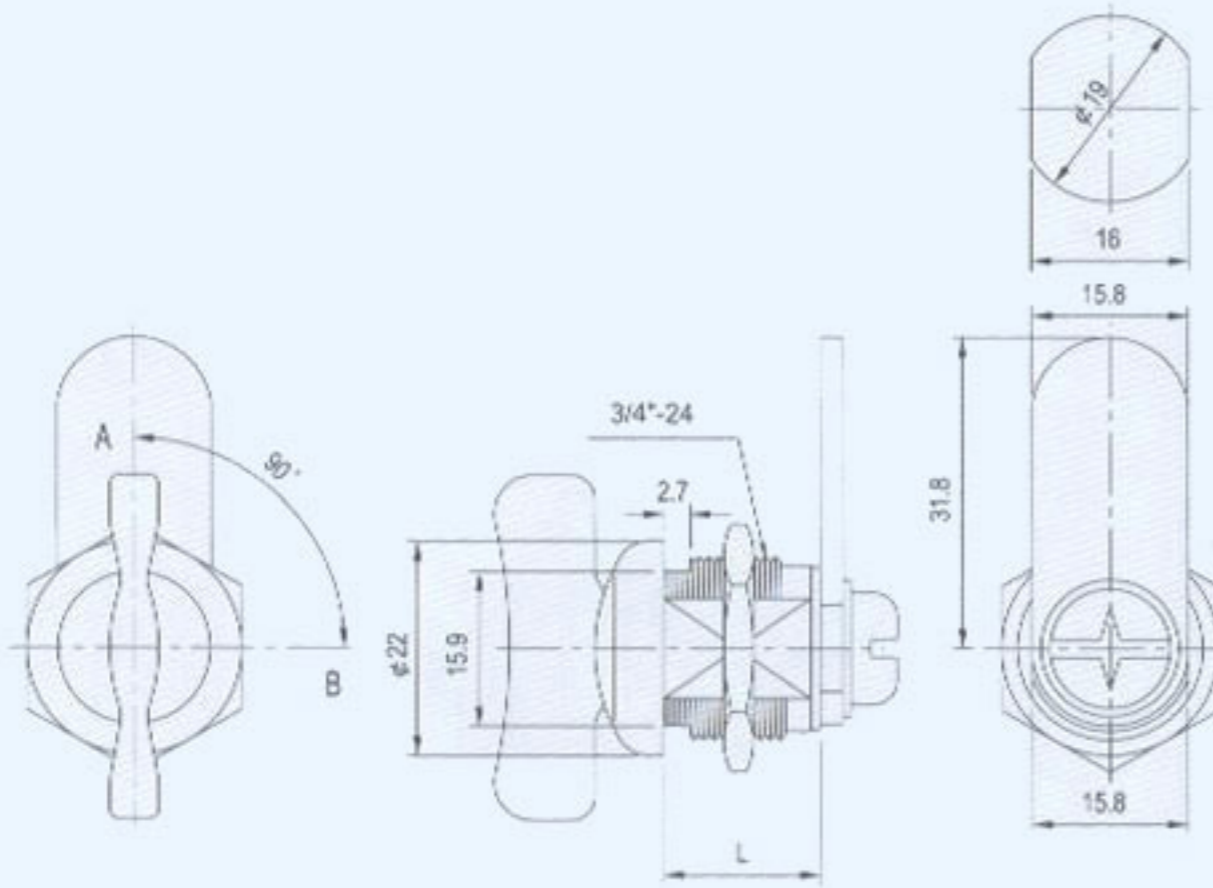


### DESCRIPTION

- . Zinc alloy die cast housing and cylinder.
- . Bright chrome plated standard.
- . Ball and spring detent.
- . RT series hand operated.
- . 4 sizes available.
- . Various cam configurations and rotations available.
- . Cam is affixed by screw.
- . Hex nut or speed clip mounted.

Unit: mm

Recommended hole size



Sizes	S	M	L	XL
LockNumber	RT058	RT078	RT118	RT138

Sizes	L
S	15.9
M	22.2
L	28.6
XL	34.9